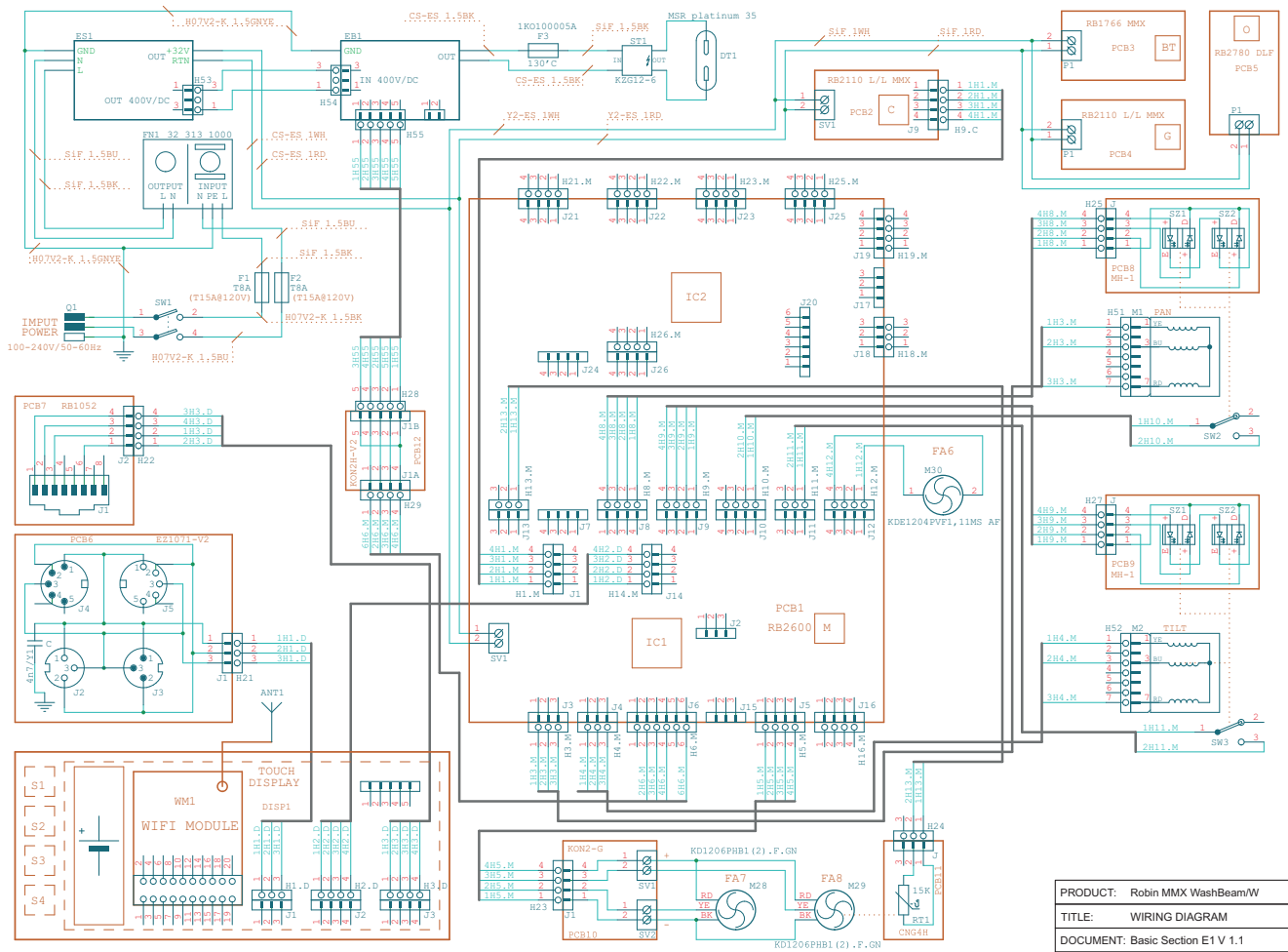
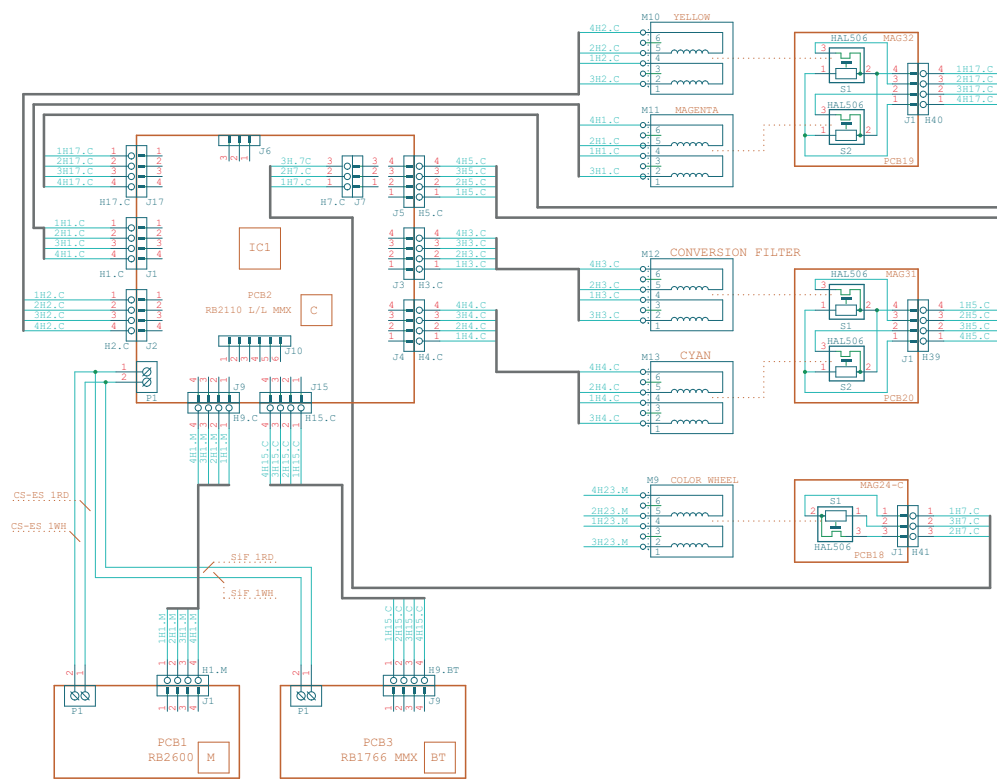


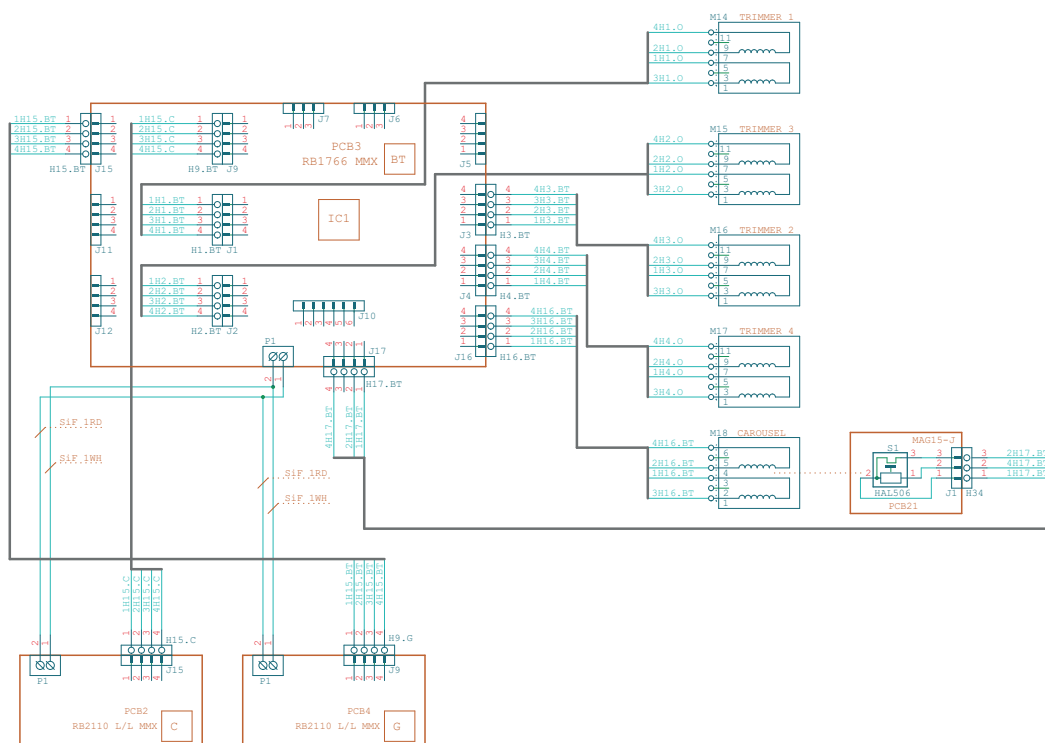
PRODUCT:	Robin MMX WashBeam
TITLE:	WIRING DIAGRAM
DOCUMENT:	Basic Section E1 V 1.0
VERSION:	1
DATE:	14.02.2013
SHEET:	01 OF 13



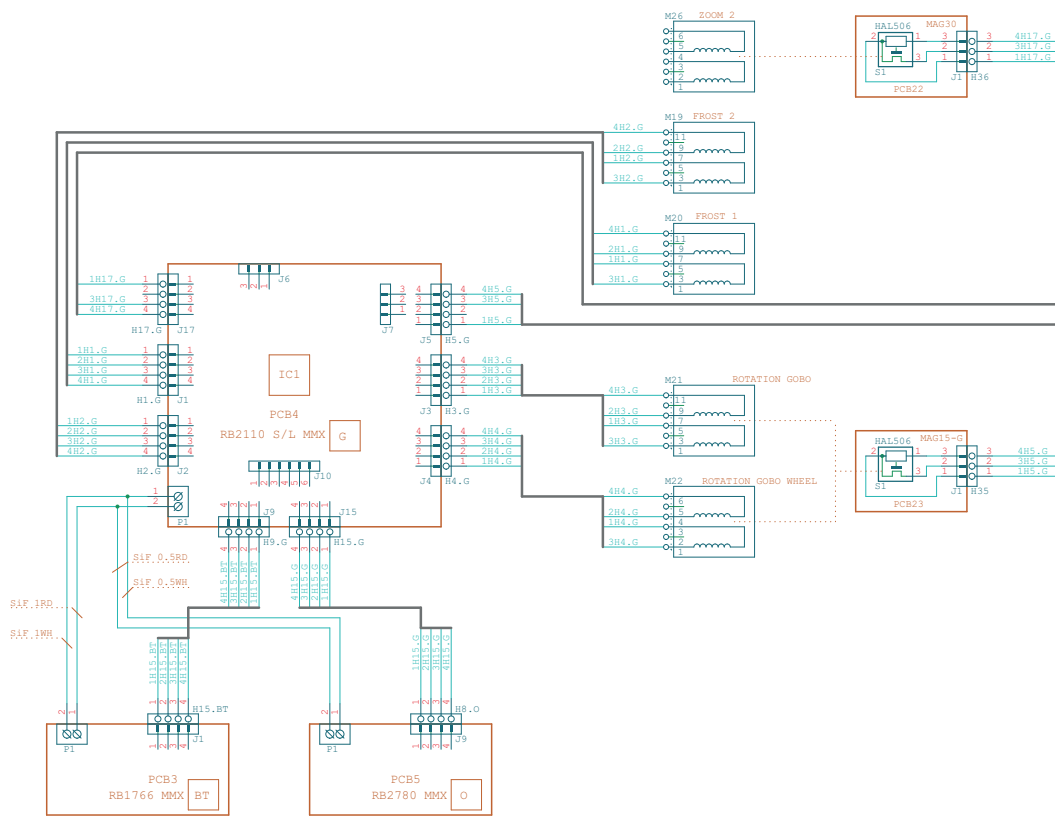
PRODUCT:	Roblin MMX WashBeam/W
TITLE:	WIRING DIAGRAM
DOCUMENT:	Basic Section E1 V 1.1
VERSION:	1
DATE:	14.02.2013
SHEET:	02 OF 13



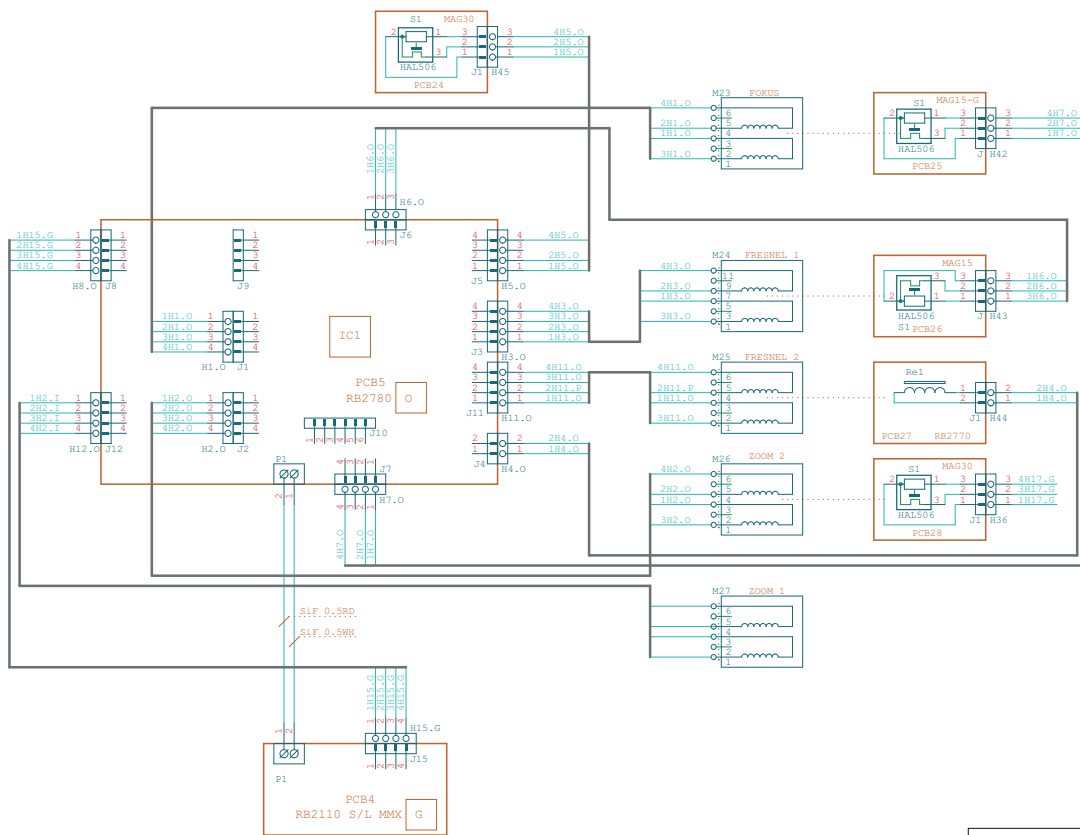
PRODUCT: Roblin MMX WashBeam		
TITLE: WIRING DIAGRAM		
DOCUMENT: Color Section E3 V 1.0		
VERSION: 1	DATE: 14.02.2013	SHEET: 04 OF 13



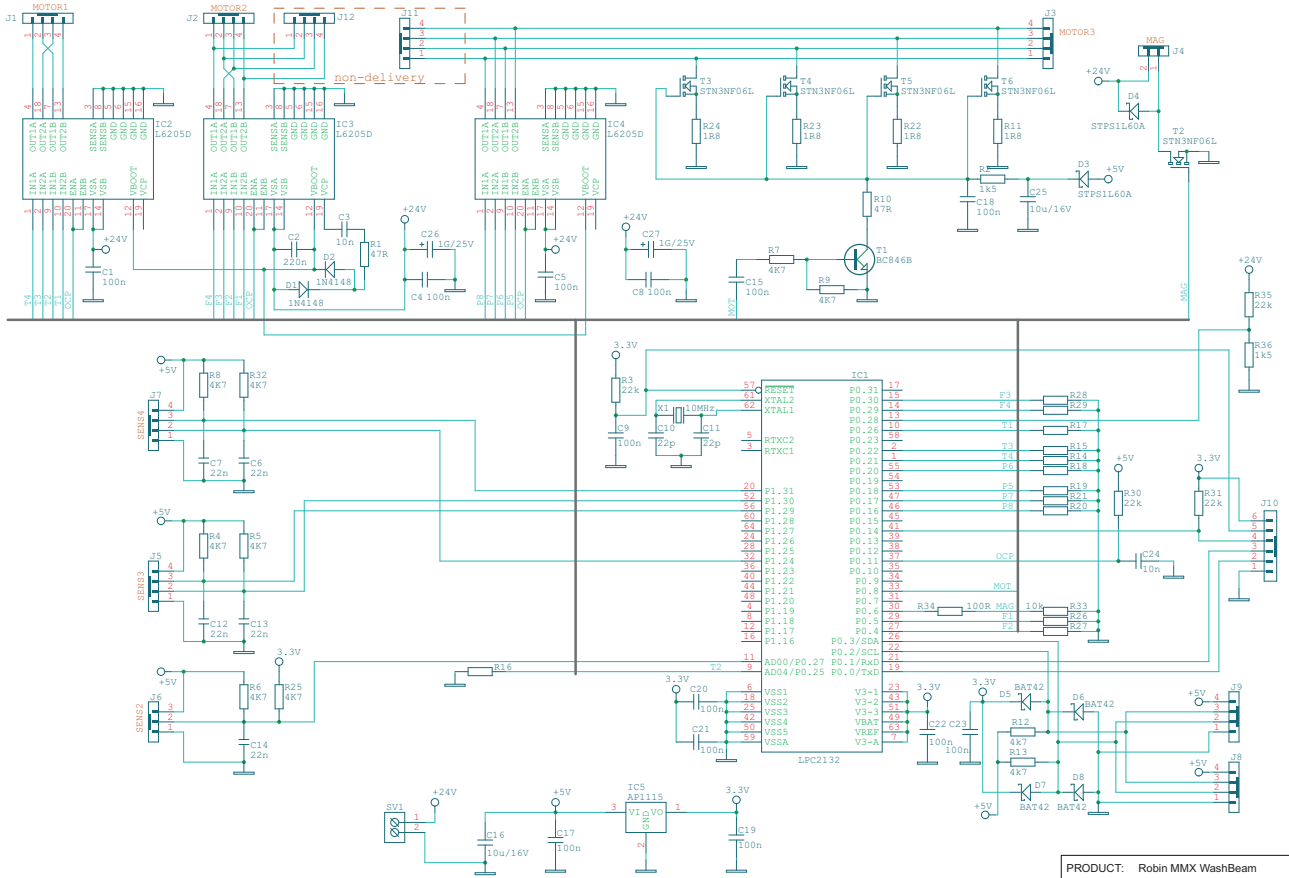
PRODUCT:	Robin MMX WashBeam	
TITLE:	WIRING DIAGRAM	
DOCUMENT:	Trimmer Section E4 V 1.0	
VERSION: 1	DATE: 14.02.2013	SHEET: 05 OF 13



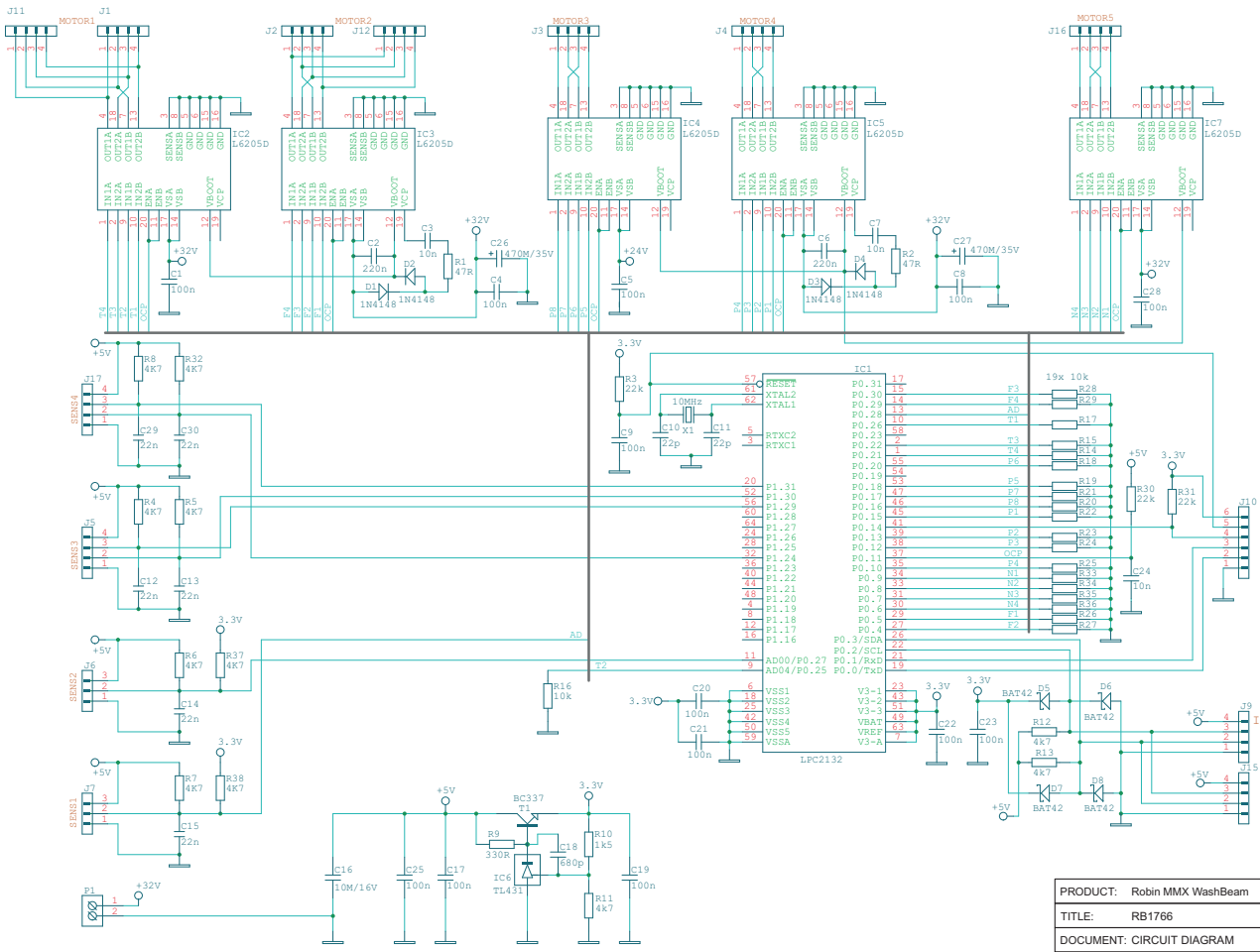
PRODUCT:	Robin MMX WashBeam	
TITLE:	WIRING DIAGRAM	
DOCUMENT:	Gobo Section E5 V 1.0	
VERSION:	1	DATE: 14.02.2013 SHEET: 06 OF 13



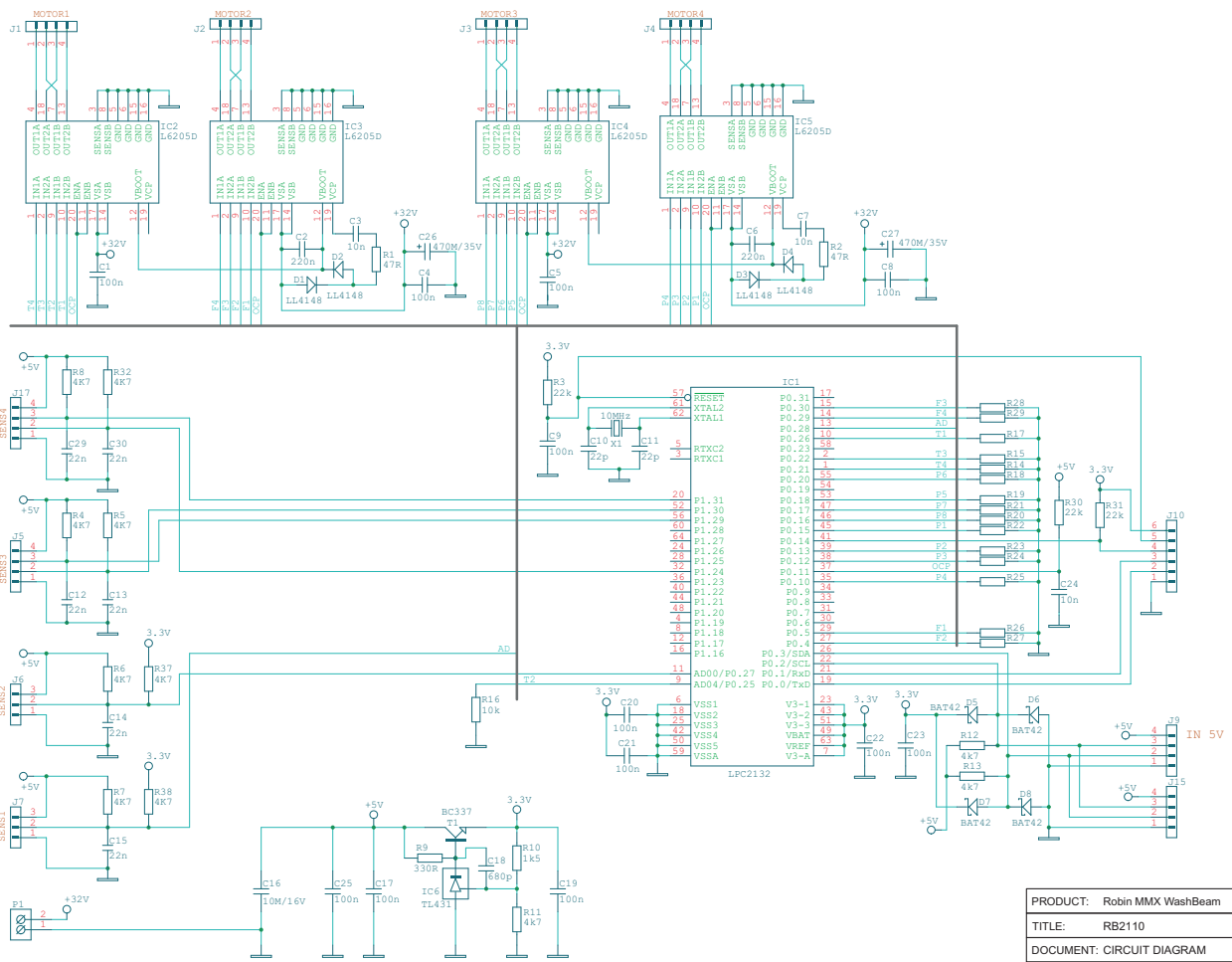
PRODUCT: Robin MMX WashBeam		
TITLE: WIRING DIAGRAM		
DOCUMENT: Zoom Section E6 V 1.0		
VERSION: 1	DATE: 14.02.2013	SHEET: 07 OF 13



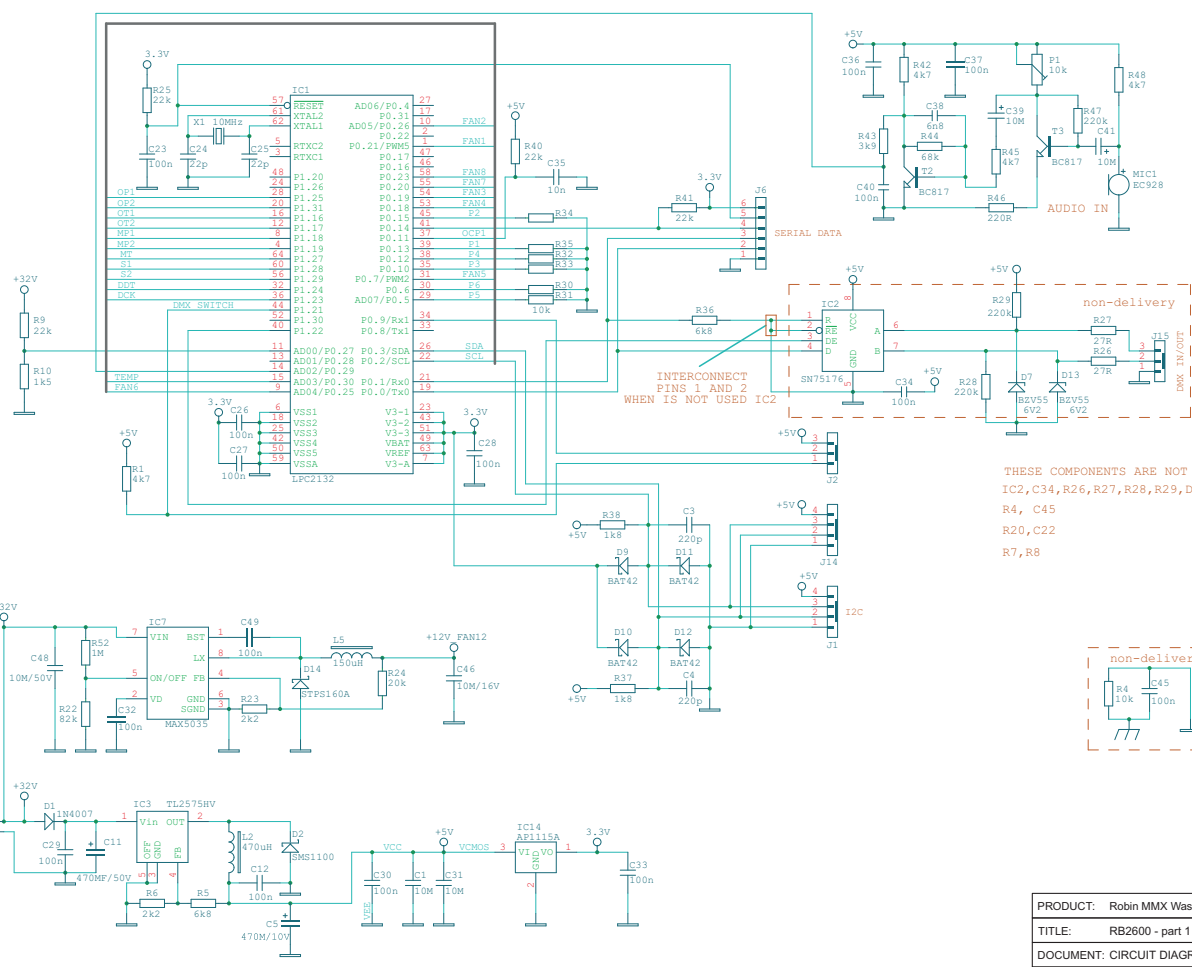
PRODUCT:	Robin MMX WashBeam		
TITLE:	RB2780		
DOCUMENT:	CIRCUIT DIAGRAM		
VERSION:	1	DATE:	14.02.2013
		SHEET:	08 OF 13



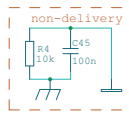
PRODUCT:	RobIn MMX WashBeam
TITLE:	RB1766
DOCUMENT:	CIRCUIT DIAGRAM
VERSION:	1
DATE:	14.02.2013
SHEET:	09 OF 13



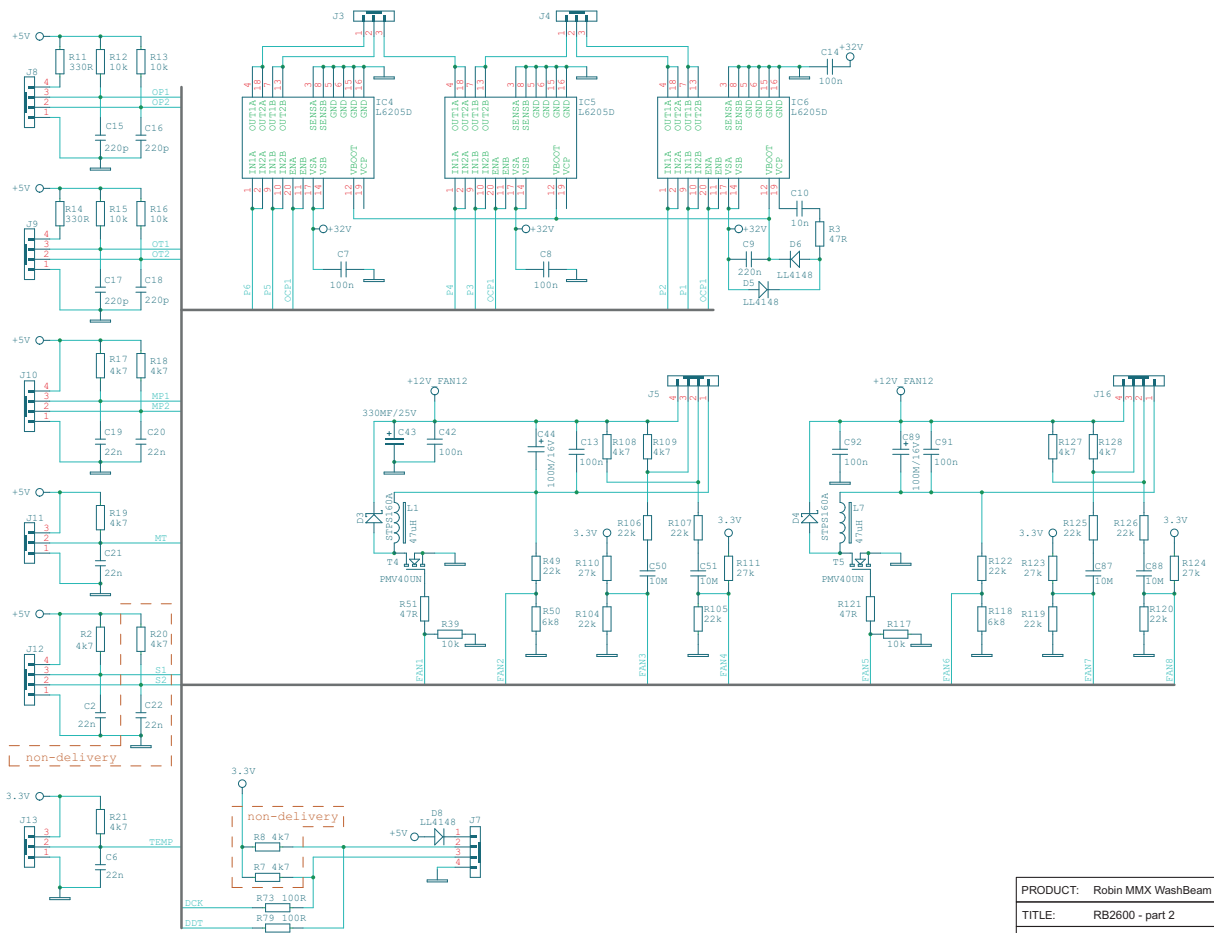
PRODUCT:	RobIn MMX WashBeam
TITLE:	RB2110
DOCUMENT:	CIRCUIT DIAGRAM
VERSION:	1
DATE:	14.02.2013
SHEET:	10 OF 13



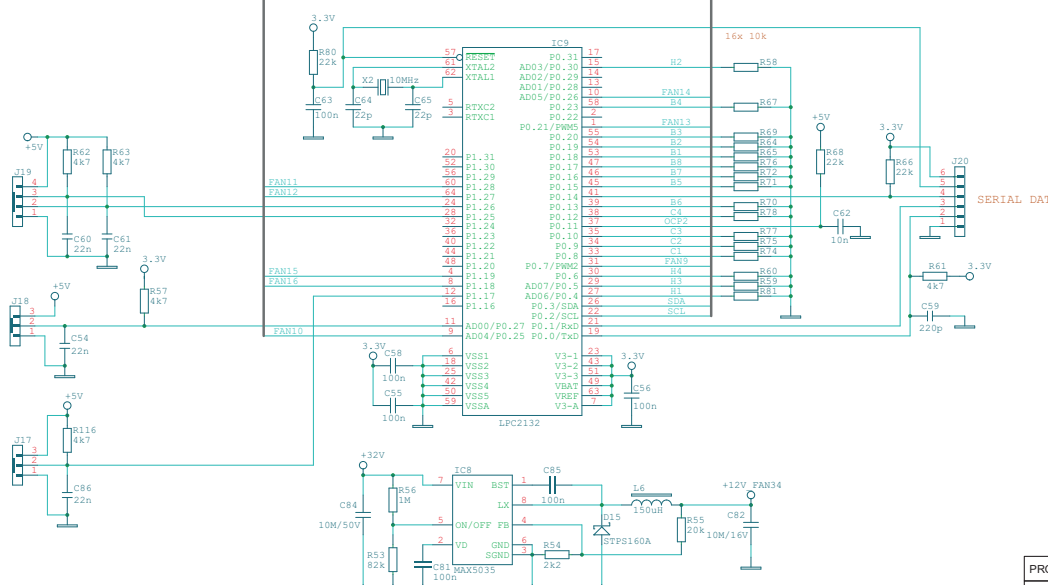
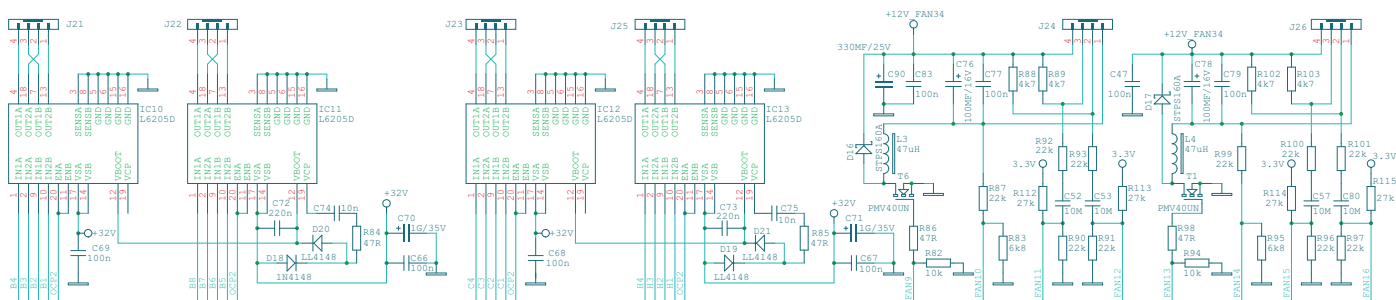
THESE COMPONENTS ARE NOT USED
 IC2, C34, R26, R27, R28, R29, D7, D13, J15
 R4, C45
 R20, C22
 R7, R8



PRODUCT: RobIn MMX WashBeam		
TITLE: RB2600 - part 1		
DOCUMENT: CIRCUIT DIAGRAM		
VERSION: 1	DATE: 14.02.2013	SHEET: 11 OF 13



PRODUCT:	Robin MMX WashBeam		
TITLE:	RB2600 - part 2		
DOCUMENT:	CIRCUIT DIAGRAM		
VERSION:	1	DATE:	14.02.2013
		SHEET:	12 OF 13



PRODUCT:	Robin MMX WashBeam
TITLE:	RB2600 - part 3
DOCUMENT:	CIRCUIT DIAGRAM
VERSION:	1
DATE:	14.02.2013
SHEET:	13 OF 13